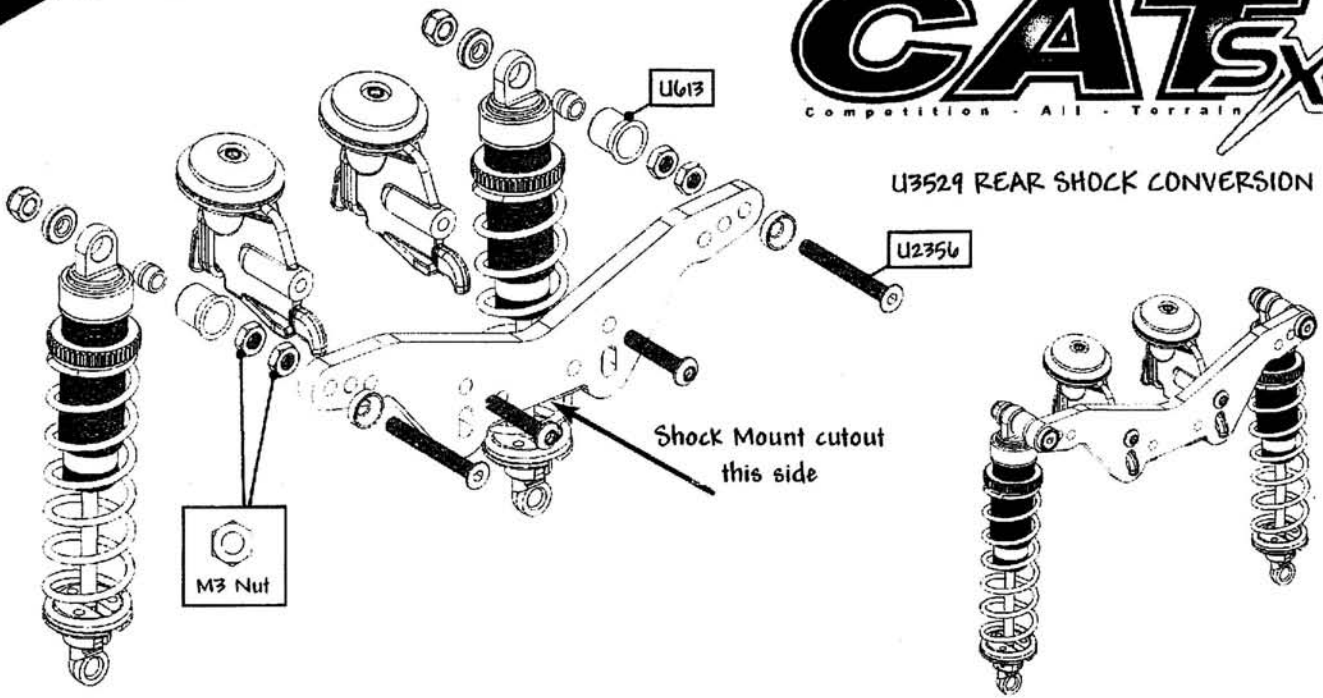


U3529 REAR SHOCK CONVERSION

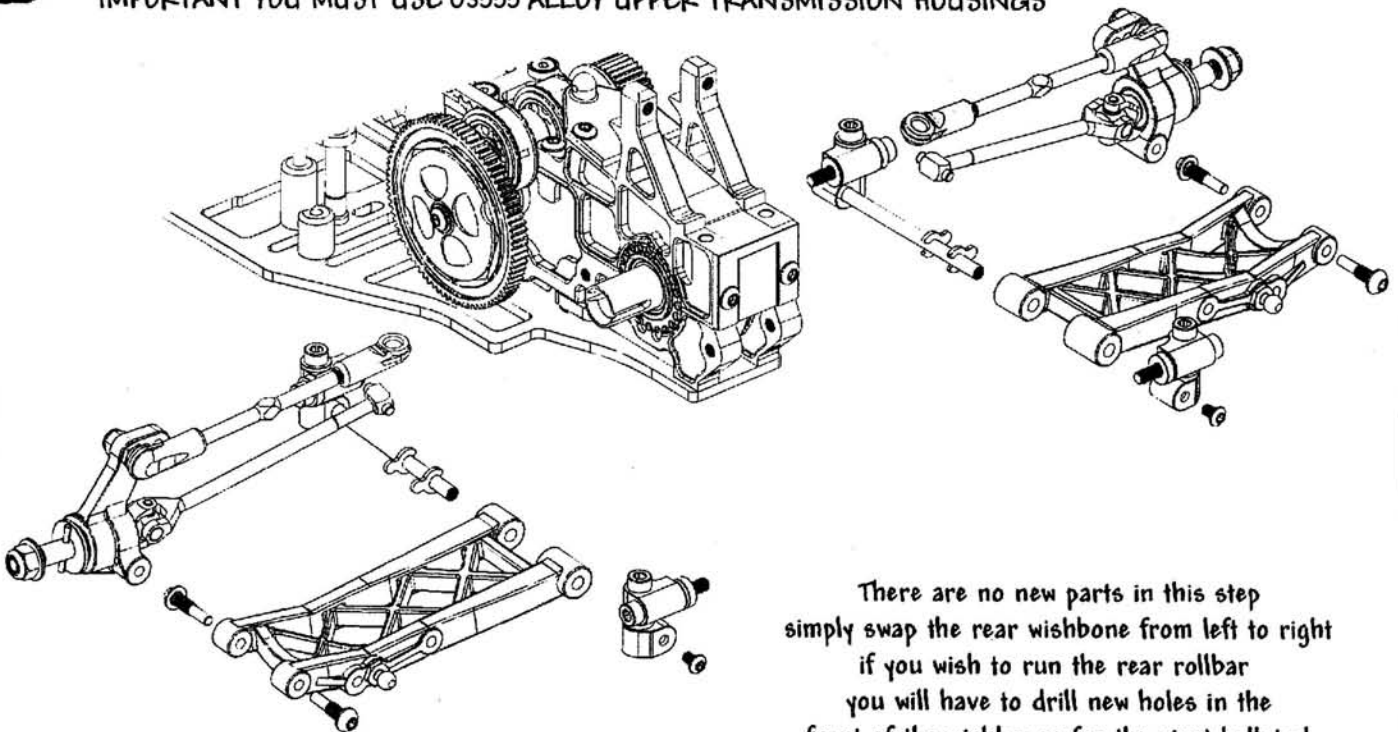


2



3

IMPORTANT YOU MUST USE U3555 ALLOY UPPER TRANSMISSION HOUSINGS

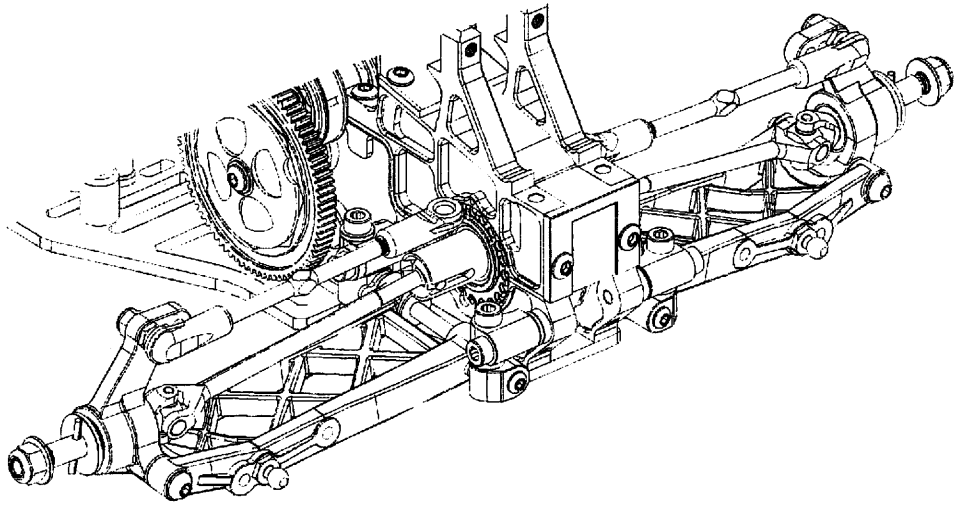


There are no new parts in this step simply swap the rear wishbone from left to right if you wish to run the rear rollbar you will have to drill new holes in the front of the wishbones for the pivot ballstud

3

CATS

Competition - All - Terrain



4

